

# DEPLOSUN

## Installation Manual ARTIC ROUND GLASS·TOP and STANDARD DIFFUSER.

---

**READ THIS MANUAL UNTIL THE END and be sure that you have understood all the steps before starting.**

- **Be sure that you have all the pieces and tools you need to make the assembly correctly.**
- **Be sure you accomplish all the health and safety measures specially if you have to do works on height.**



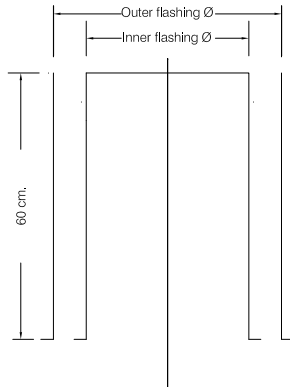
[www.espaciosolar.com](http://www.espaciosolar.com)

## 1.1. INSTALLATION AND FLASHING MEASURES

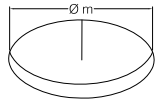
### MEASURES TO KNOW BEFORE THE INSTALLATION

PIPE MODELS		FLASHING		CONCRETE HOLE	INDOOR HOLE	
		OUTER Ø	INNER Ø		WITH CEILING (1) Øm	WITHOUT CEILING (2) Øm
STANDARD	DSC 300	48 cm	32 cm	32 cm	31 cm	34 cm
	DSC 400	58 cm	42 cm	42 cm	41 cm	44 cm
	DSC 550	73 cm	57 cm	57 cm	56 cm	59 cm
TAILOR MADE	DSC 760	94 cm	78 cm	78 cm	77 cm	80 cm
	DSC 950	113 cm	97 cm	97 cm	96 cm	99 cm

NOTE (1): Valid for diffuser: (A) Standard. NOTE (2): Valid for diffuser: (B) Hanging and (A) Standard.



## 1.2. MEASURES FOR INDOOR INSTALLATION



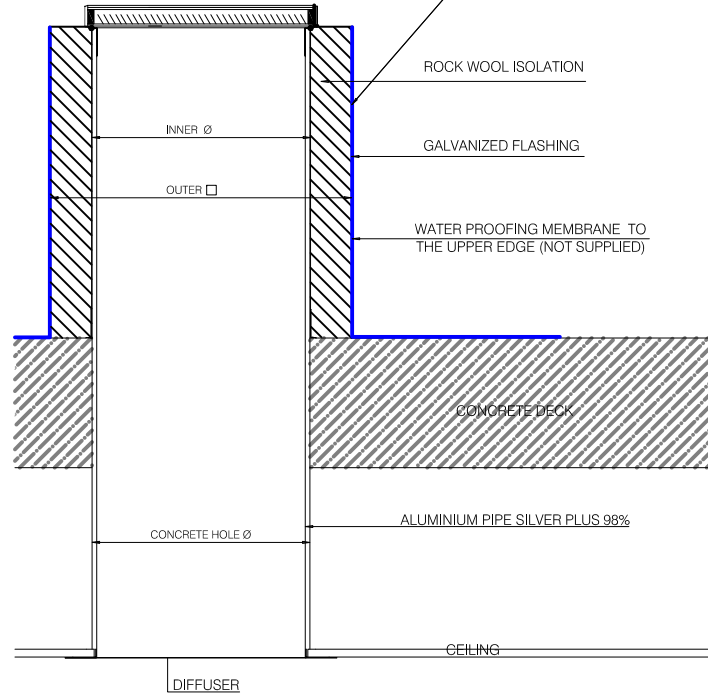
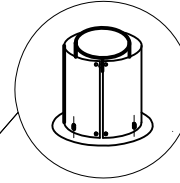
Puncture the inner cavity with the correct diameter centred with the flashing hole.



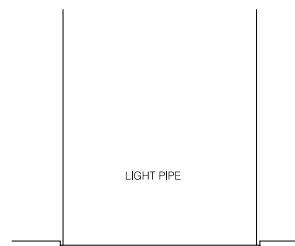
## 2.1. WORKS TO DO FOR FLASHING + STANDARD DIFFUSER

A. Fix the flashing on the roof as a pipe pass

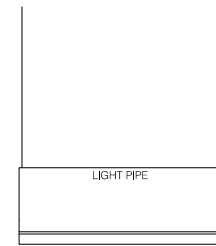
B. Make the waterproofing membrane up to the upper edge of the flashing



## 3. DIFFUSERS



(A) STANDARD DIFFUSER



(B) HANGING DIFFUSER (TAILOR MADE!)

## DEPOSUN SYSTEM INSTALLATION



(A) STANDARD DIFFUSER



(B) HANGING DIFFUSER (TAILOR MADE!) curved and sloped ceiling

# TECHNICAL DATA: ARTIC ROUND GLASS-TOP

(Pictures and drawings are merely informational and not contractual)

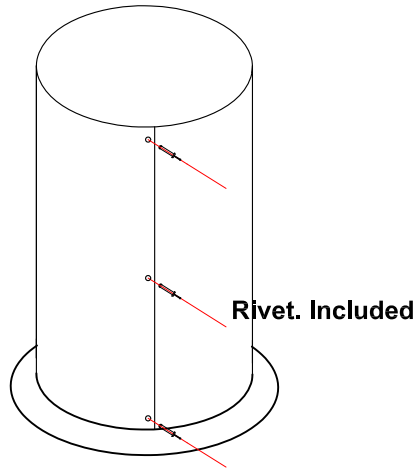
**ESPACIO SOLAR**  
TECNOLOGIA BIOCLIMATICA

Dels Vergos 11, 08017 Barcelona

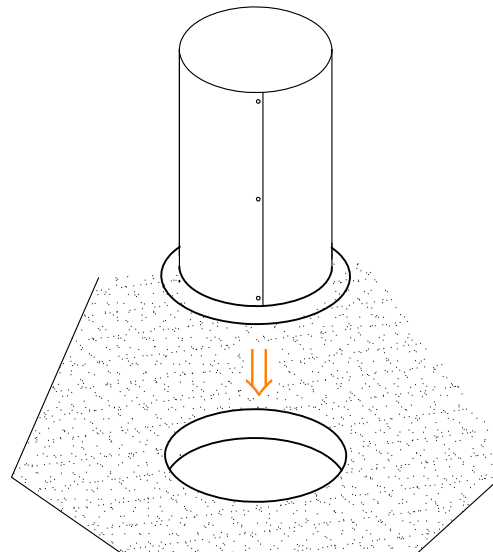
Tel: +34 93409.03.59 Fax: +34 93.409.03.58 info@espaciosolar.com

# ARTIC FLASHING ASSEMBLY

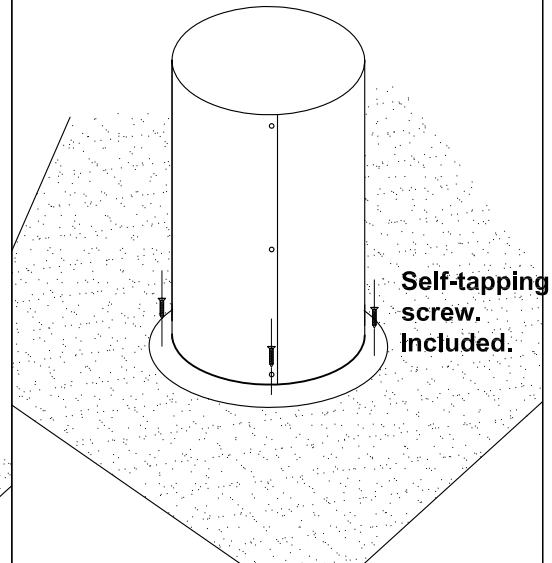
Step 1. INNER RING ASSEMBLY



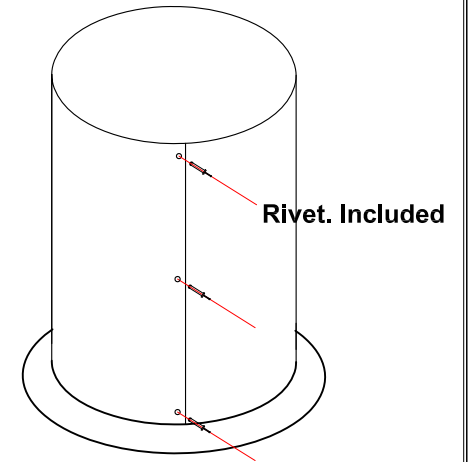
Step 2.



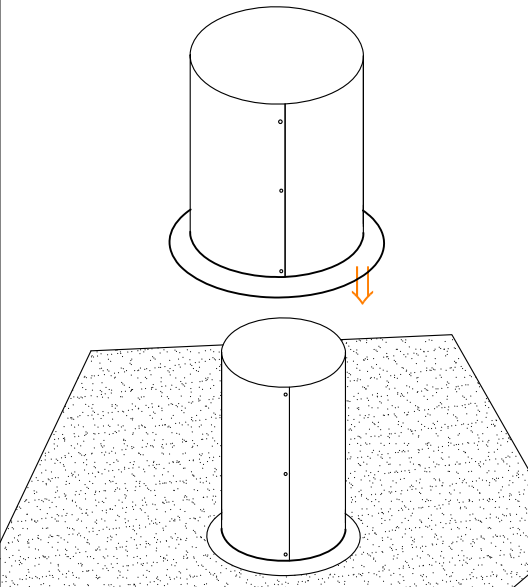
Step 3.



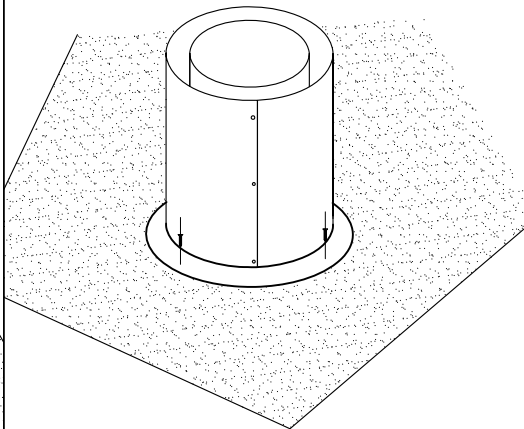
Step 4. OUTER RING ASSEMBLY



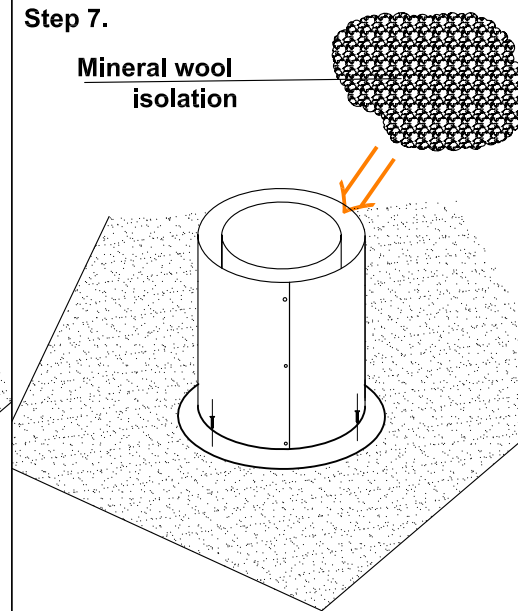
Step 5.



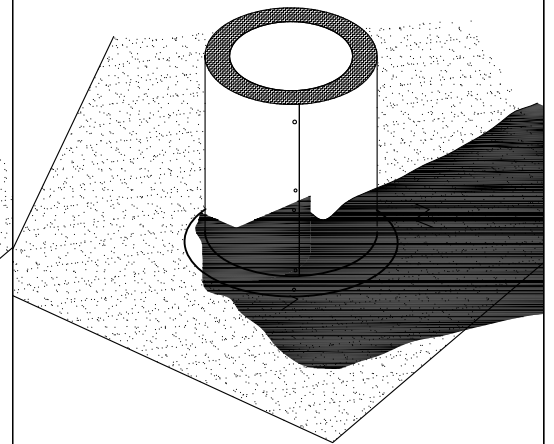
Step 6.



Step 7.



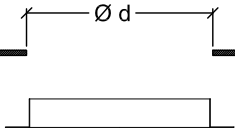
Step 8. Waterproofing



## STEP 9. PIPE ASSEMBLY.

### 9-1. PLACE LOWER UNION RING.

Mark the holes position using LOWER UNION RING as como pstencil on the ceiling. Be sure that the piece is in the correct position. Make the holes with a N° 6 drill and place the supplied N° 6 plugs .



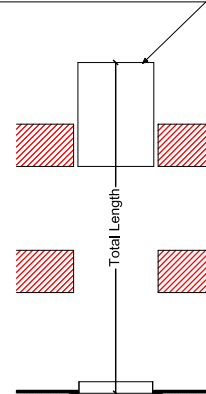
Assemble the LOWER UNION RING using the supplied screws. Be sure that the piece remains firmly tied and levelled with the ceiling.

Model	Ø d min.	Ø d max.
FT300	31 cm	34 cm
FT400	41 cm	44 cm
FT550	56 cm	59 cm
FT760	77 cm	80 cm
FT950	96 cm	99 cm

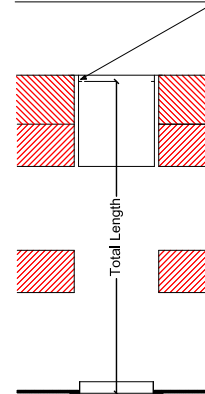
### 9-2. ESTABLISH PIPE LENGHT.

Measure the exact distance between flashing's Upper Edge "UE" and the lower part in the LOWER UNION RING that you have just assembled on the ceiling. This distance , less 3 cm, will be the exact length of the DEPLODUCTreflective pipe .

Upper Edge "UE" in the universal flashing.



Upper Edge "UE" in flat-top flashing is the inside lange in the holding pipe .

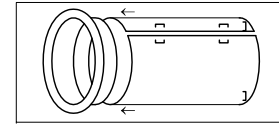


### 9-3. PIPE ASSEMBLY.

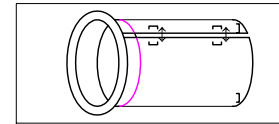
Calculate the number of segments you need to reach the total pipe's length . TAKE INTO ACCOUNT THAT EVERY UNION BETWEEN SEGMENTS NEEDS A MINIMUM OVERLAP OF 2 CMS.

Prepare the aluminum segments unsticking the protection film. Avoid touching with your hands the reflective inside once the protection film is removed.

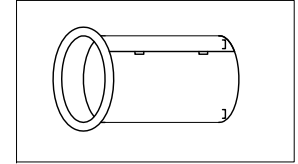
**STEP 1** Form the pipe using the UPPER UNION RING in the first stretch . The reflective pipe should be placed on the external side of the union ring up to the end.



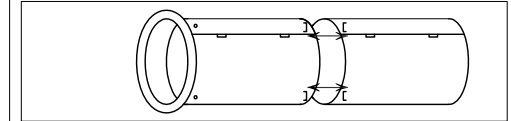
**STEP 2** Use the side tabs to fix the pipe in its exact measure.



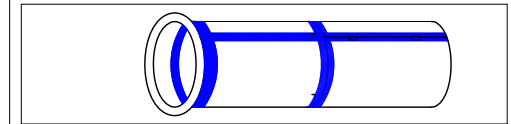
**STEP 3** Fix with screws , union ring to the pipe segment.



**STEP 4** Connect the stretches using the fixing tabs until you get the exact length that you have previously calculated.



**STEP 5** Tape with aluminium tape. In order to reinforce those unions you have to place a PLP tape over the aluminium one.

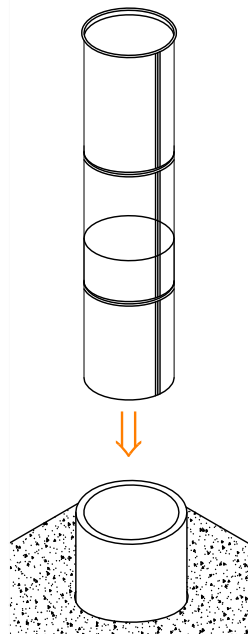


### 9-4. PIPE PLACEMENT.

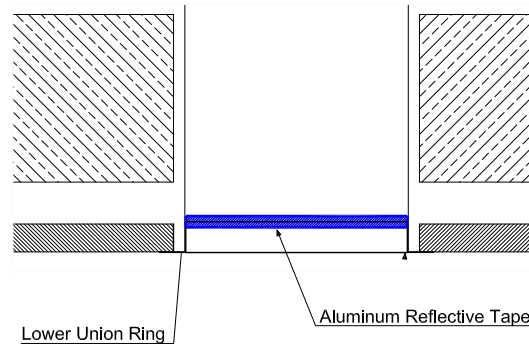
**STEP 1**  
Introduce now the pipe through the universal flashing hole.

Carefully slide until the inferior edge fits with LOWER UNION RING (previously assembled on the ceiling). Help from below for the pipe to fit outside of the UNION.

Check that UPPER UNION RING rests on the flashing's Upper Edge "UE" .



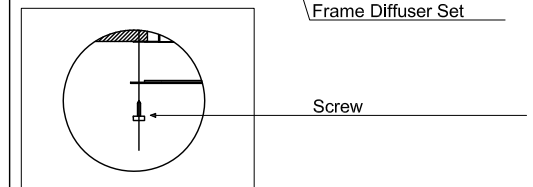
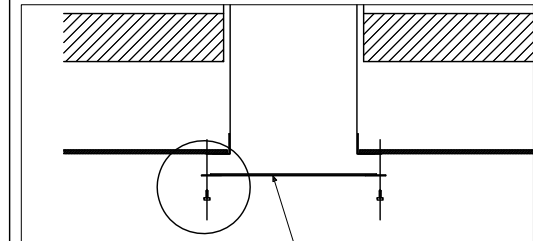
**STEP 2**  
Tape the unión PIPE - LOWER UNION RING inside the pipe with the aluminium reflective tape supplied, to assure the sealing of the system.



### 9-5. STANDARD DIFFUSER INSTALLATION.

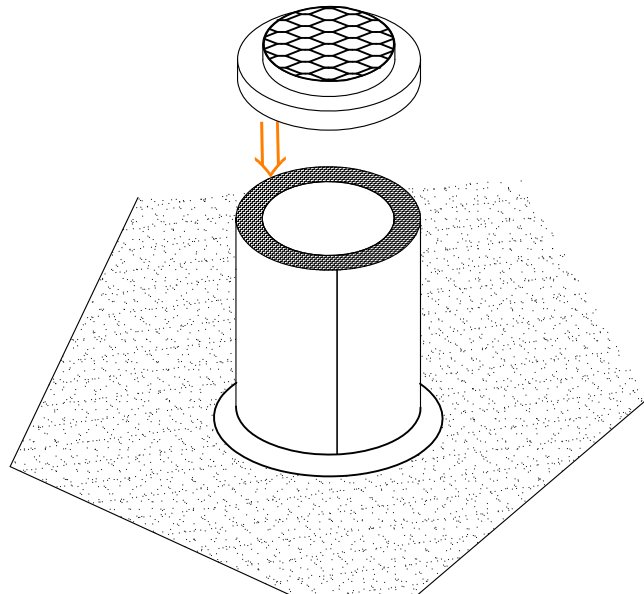
Remove protector film from both diffuser sides and screw It to the Lower Union Ring using the supplied screws .

Screw without forcing the screws on the diffuser Frame.

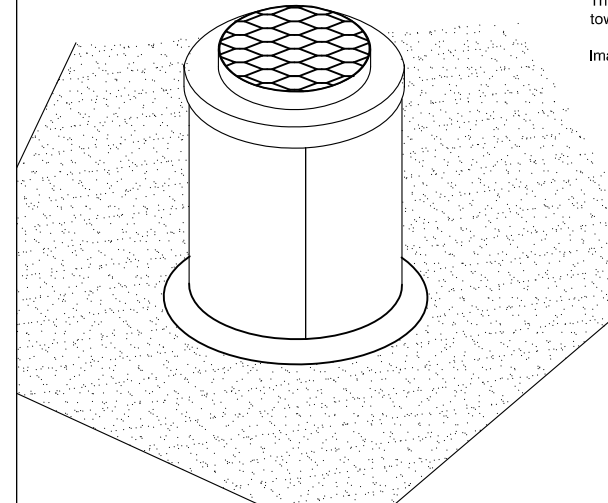


## ARTIC GLASS-TOP DOME

### Step 10.



### Step 11. Grid orientation.



### Trace the South

Trace the SOUTH (north in southern hemisphere) with a compass.  
The grid should be oriented so that the central (smaller) segments of the reflectant side according to image A faces **SOUTH**.  
The reflectant side is more shiny than the other side and looks towards the inside of the pipe.

Images that will help for the correct installation.

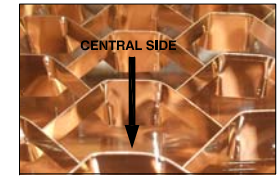
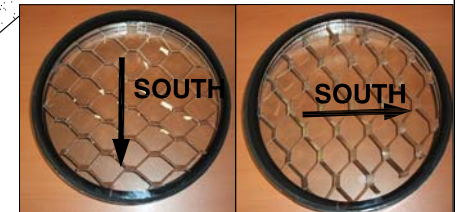


IMAGE A



### Step 12

